





2



ENG

4

DAN NOR

14

FIN

24

SWE

34

POL

44

RUS

54

ENG

DAN

NOR

FIN

SWE

POL

RUS



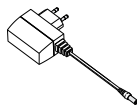
1x



1x



1x



2x



2x



3 x 32 mm

Contents

1 About these instructions	5	11 Decommissioning	12
1.1 Validity, storage and forwarding of the instructions	5	12 Disposal	12
1.2 Symbols	5		
2 Safety	5		
2.1 Intended use	5		
2.2 Safety notes	6		
3 Function	7		
3.1 Alpha IP app	7		
3.2 Downloading the Alpha IP app	7		
4 Device overview	8		
4.1 Front and back side	8		
4.2 Technical data	8		
5 Commissioning	9		
5.1 Device set-up	9		
6 Installation	10		
7 Displays	10		
7.1 Status displays	10		
7.2 Error indications	11		
8 Cleaning	11		
9 Restoring factory settings	11		
10 Radio operation	12		
10.1 Transmission limit (duty cycle)	12		

1 About these instructions

1.1 Validity, storage and forwarding of the instructions

These instructions apply to the Alpha IP Access Point HAP 21001. These instructions include information necessary for the commissioning. These instructions must be read completely and thoroughly before commencing any work with the device. These instructions must be kept and to be handed over to future users.



These instructions as well as constantly up-to-date additional Alpha IP system information can be found under www.alphaip.de.

1.2 Symbols

The following symbols are used in this manual:



Note: Identifies important or useful information



Preconditions



Result from an action



List without fixed order

1., 2.

List with fixed order

2 Safety

2.1 Intended use

The Access Point HAP 21001 is a component of the Alpha IP System and serves

- for installation in environments of residential use,
- as a central unit to connect the system to smart phones via the Alpha IP cloud,
- for the wireless communication in the Alpha IP network.
- for the configuration and operation of the Alpha IP system and the associated components,
- for the remote access to connected components

Every other use, modification and conversion is expressly forbidden. Improper use leads to dangers the manufacturer cannot be held liable for and will exempt guarantees and liabilities.

2.2 Safety notes

All safety notes in these instructions must be observed in order to avoid accidents with personal damage or property damage. No liability is assumed for personal damage and property damage caused by improper use or non-observance of the danger notes. In such cases any warranty claim is invalid. There is no liability for consequential damages!

- Only the supplied power supply unit (5 V DC/550 mA) may be used for the power supply of the device.
- Only use the device if it is in flawless state.
- Only connect the device to a well accessible power outlet.
- Pull the power cord off the power outlet in case of danger.
- Observe the performance limits of the device and its environmental conditions.
- Lay the cables of connected consumers in a way that they do not lead to dangers (e. g. trip hazards) for persons and pets.
- Only operate the device in a dry and dust-free environment.
- Do not expose the device to the influence of humidity, vibration, continuous solar radiation or other types of radiation, coldness or mechanical load.
- Ensure that children do not play with this device or its packaging. Children must be monitored if necessary.

3 Function

The Access Point HAP 21001 is the central system unit of the Alpha IP Systems. The HAP 21001 offers cloud-controlled worldwide access via smart phone app and ensures the software up-to-dateness via automatic system updates.

Configuration and the operation of the HAP 21001 and of connected Alpha IP components can be performed comfortably and individually via the Alpha IP app on your smart phone. The possible function range depends on the used system components.

Communication is performed via the Alpha IP cloud with the Homematic IP (HmIP) radio protocol. Radio transmission is realised on a non-exclusive transmission path; thus, interference cannot be completely excluded. Interference can be caused e. g. by switching processes, electric motors or defective electric appliances. (See page 12, Notes on radio operation)



The range inside buildings can be strongly different from the range in open air.

3.1 Alpha IP app

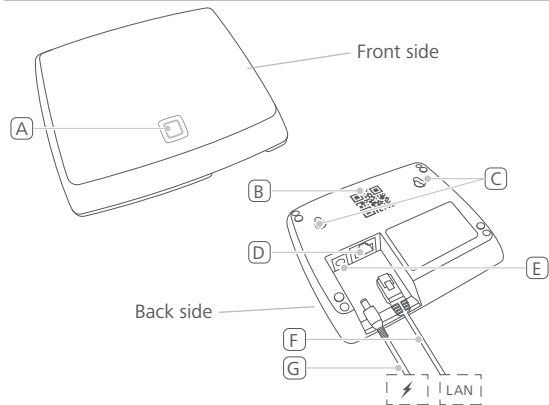
The entire Alpha IP system is set up and controlled with the Alpha IP app. The Alpha IP app allocates connected components to the rooms. The set-up rooms, components and all information are displayed in a clearly structured way.

3.2 Downloading the Alpha IP App

The Alpha IP app is available to download free of charge for Android from version 4.4 and for iOS from version 7. The Alpha IP app is available in the Google Play Store (for Android smart phones) and in the App Store (for iPhones).

4 Device overview

4.1 Front and back side



- (A) System key and LED
- (B) QR code and device number (SGTIN)
- (C) Screw holes
- (D) Mains connection
- (E) Connection of plug-in power supply
- (F) Network cable (scope of delivery)
- (G) Plug-in power supply (scope of delivery)

4.2 Technical data

Short designation of the device	HAP 21001
Supply voltage	
Power supply unit, primary side (input)	100 V-240 V/50 Hz
Power supply unit, secondary side (output)	5 V DC
Power consumption of plug-in power supply unit	max. 1.5 W
Power consumption	max. 500 mA
Standby power consumption	1.1 W
Protection type	IP 20
Ambient temperature	5 to 35 °C
Dimensions (W x H x D)	118 x 104 x 26 mm
Weight	153 g
Radio frequency	868.3 MHz/869.525 MHz
Receiver category	SRD category 2
Typical radio range	400 m (in open air)
Duty cycle	< 1 % per h/< 10 % per h
Network	10/100 Mbit/s, Auto-MDIX
Guidelines	2014/53/EU Radio installations 2014/30/EU EMC 2011/65/EU RoHs

5 Commissioning

The commissioning of the Alpha IP system is described step by step in this section. Further Alpha IP devices can be added and integrated into the Alpha IP System after the commissioning of the Access Point.

- (i) The Alpha IP App is available for iOS and Android for a free download in the respective app store.
- (ii) An Internet connection is necessary for commissioning and operation.

5.1 Device set-up

1. Download the Alpha IP app and install it on your smart phone.
2. Open the Alpha IP app on your smart phone. The installation is guided by an installation wizard in the app.
3. Connect the Access Point to the router using the supplied network cable (see page 8 pos. D).
4. Establish the power connection using the supplied plug-in power supply (see page 8 pos. E).
5. Scan the QR code (see page 8 pos. B) on the back of the Access Point.



As an alternative, enter the device number (SGTIN) of the Access Points manually in the app.

6. As soon as the LED in the system key (see page 8 pos. A) lights continuously in blue, confirm this in the app.



In case of other flashing behaviour, follow the instructions in the app or see error descriptions in section 7.

- ✓ The Access Point will be registered to the server; this may last several minutes.
7. Press the system key (see page 8 pos. A) after successful registration for confirmation.
 - ✓ The teach-in process will be performed.
 - ✓ The Alpha IP Access Point is ready for operation.

6 Installation



The ALPHA IP Access Point must be positioned with a minimum distance of 50 to your WLAN router.

The Alpha IP Access Point can be positioned on a table or installed to a wall.

1. For wall installation drill two holes with a diameter of 5 mm and a distance of 7.5 cm.
2. Insert the supplied dowels into the bores.
3. Screw in the supplied screws so that they protrude 4 mm from the wall.
4. Hang the Alpha IP Access Point onto the screws.

7 Displays

7.1 Status displays

Display	Meaning	Meaning
Continuous lighting in orange	Starting process	Let the process finish. Observe the flashing behaviour.
Quick flashing in blue	Connection establishment to the server	Wait until the the process is finished.
Continuous lighting in blue	Standard operation, connection to server OK	Operation can be continued.
Long lighting in green	Process confirmed	Confirmation of performed set-up.
Alternate long and short flashing in orange	Updating	Wait until the the process is finished.

7.2 Error indications

Display	Meaning	Solution
Quick flashing in yellow	No connection to network or router	Connect the Access Point to the router.
Continuous lighting in yellow	No Internet connection	Check the Internet connection and the firewall settings.
Quick flashing in red	Update error	Check the server and Internet connection. Restart the Access Point by shortly disconnecting it from the power supply.
Quick flashing in orange	Preliminary step for restoring the factory settings	Press the System key again for 4 seconds until the LED lights up in green.
Long lighting in red	Reset failed	Repeat the process.

8 Cleaning

Clean the device with a soft, clean, dry, and lint-free cloth. The cloth may be moistened with lukewarm water for the removal of heavier contamination. Use a solvent-free cleaning agent for cleaning.

9 Resetting factory settings

All settings will be lost when the factory settings are restored. The factory setting of the individual Alpha IP components must also be restored.

1. Disconnect the Access Point from the power supply. Pull the mains plug for this.
 2. Connect the base station again to the power supply and press the System key simultaneously for 4 seconds until the LED flashes rapidly in orange.
 3. Release the System key.
 4. Press the System key again for 4 seconds until the LED lights up in green.
 5. Release the System key again.
- ✓ The device restarts.
- The factory settings are reset.

10 Radio operation

Radio transmission is realised on a non-exclusive transmission path; thus, interference cannot be completely excluded. Other interference can be caused e. g. by switching processes, electric motors or defective electric appliances. The range inside buildings can be strongly different from the range in open air. Apart from the transmission power and the reception characteristics of the receivers, environmental aspects as e. g. humidity as well as the constructional structure are important factors for this. The Alpha IP system components correspond to the basic requirements and the other relevant rules of the Directive 2014/53/EU Radio Equipment. The complete Declaration of Conformity can be found under www.alphaip.de.

10.1 Transmission limit (duty cycle)

The duty cycle is a legally regulated limitation of the transmission time of devices in the 868 MHz range. The maximum transmission time of a device is 1 % per hour (i. e. 36 seconds). When this time has elapsed, the device must not send anything until the time limitation is over. This may happen in individual cases, e. g. during the commissioning of a system due to radio-intensive teach-in processes. Exceeding the duty cycle can lead to temporarily missing functions. The function of the device is completely restored after one hour as a maximum.

11 Decommissioning

1. Reset the device to factory settings.
2. Loosen all connected cables.
3. Uninstall the device and dispose of properly.

12 Disposal



Do not dispose of the device with domestic waste! Electronic devices/products must be disposed of according to the Directive for Waste Electrical and Electronic Equipment at the local collection points for waste electronic equipment.

This manual is protected by copyright. All rights reserved. It may not be copied, reproduced, abbreviated or transmitted, neither in whole nor in parts, in any form, neither mechanically nor electronically, without the previous consent of the manufacturer. © 2016



Indhold

1 Om denne vejledning	15	11 Ud-af-drifftagning	22
1.1 Gyldighed, opbevaring og videregivelse af vejledningen	15	12 Bortskaffelse	22
1.2 Symboler	15		
2 Sikkerhed	15		
2.1 Bestemmelsesmæssig brug	15		
2.2 Sikkerhedshenvisninger	16		
3 Funktion	17		
3.1 Alpha IP app	17		
3.2 Download af Alpha IP app	17		
4 Oversigt over enheden	18		
4.1 For- og bagside	18		
4.2 Tekniske data	18		
5 Ibrugtagning	19		
5.1 Indstilling af enheden	19		
6 Montering	20		
7 Visninger	20		
7.1 Statusvisninger	20		
7.2 Fejlvisninger	21		
8 Rengøring	21		
9 Genetablering af fabriksindstillinger	21		
10 Radio-drift	22		
10.1 Sendelimit (Duty Cycle)	22		

1 Om denne vejledning

1.1 Gyldighed, opbevaring og videregivelse af vejledningen

Denne vejledning gælder for Alpha IP Access Point HAP 21001. Vejledningen indeholder informationer, som er nødvendige til ibrugtagning. Inden der arbejdes med enheden, skal nærværende vejledning læses fuldstændigt og grundigt. Vejledningen skal opbevares og videregives til efterfølgende brugere.



Aktuelle udgaver af vejledningen/yderligere Alpha IP systeminformationer findes altid på www.alphaip.de.

1.2 Symboler

Følgende symboler bruges i denne vejledning:



Henvisning: Kendetegner en vigtig eller nyttig information

- ⇒ Forudsætning
- ✓ Resultatet, som fremkommer af en handling
- Optælling uden fast rækkefølge
- 1., 2. Anvisning med fast rækkefølge

2 Sikkerhed

2.1 Bestemmelsesmæssig brug

Access Point HAP 21001 er en del af Alpha IP systemet og tjener til

- installation i boliglignende omgivelser,
- som central enhed til at forbinde systemet med smartphones via Alpha IP Cloud,
- trådløs kommunikation i Alpha IP netværket,
- konfiguration og betjening af Alpha IP systemet og de dertil hørende komponenter,
- teleadgang til forbundne komponenter.

Enhver anden brug, ændringer og ombygninger er udtrykkeligt forbudte. En ikke bestemmelsesmæssig brug medfører farer, som producenten ikke hæfter for, samt til garantiudelukkelse og ansvarsfrihed.

2.2 Sikkerhedshenvisninger

For at undgå ulykker med personskade og materiel skade skal alle sikkerhedsinformationer i nærværende vejledning overholdes. Der hæftes ikke for personskade og materiel skade, som forårsages af ukorrekt brug eller manglende overholdelse af farehensvisningerne. I sådanne tilfælde bortfalder garantien! Der hæftes ikke for følgeskader!

- Til strømforsyning af enheden må man kun bruge den leverede netdel (5 V DC/550 mA).
- Enheden må kun bruges i teknisk upåklagelig tilstand.
- Enheden må kun tilsluttes til en let tilgængelig stikdåse.
- Ved fare skal enheden trækkes ud af stikdåsen.
- Overhold enhedens effektgrænser og omgivelsesbetingelser.
- Kablet fra tilsluttede forbrugere skal lægges således, at de ikke kan medføre farer for mennesker og husdyr (f.eks. snublesteder).
- Brug kun enheden i tørre samt støvfrie omgivelser.
- Enheden må ikke udsættes for påvirkninger fra fugtighed, vibrationer, konstant sol- eller anden varmeindstråling, kulde eller mekaniske belastninger.
- Kontroller, at børn ikke leger med produktet eller emballagen. Hold i givet fald børn under opsyn.

3 Funktion

Access Point (HAP 21001) Alpha IP systemets centrale systemenhed. HAP 21001 giver cloudstyret verdensomspændende adgang pr. smartphone app og garanterer en aktuell software via automatiske systemaktualiseringer.

HAP 21001 eller forbundne Alpha IP komponenter kan konfigureres og betjenes bekvemt og individuel pr. smartphone via Alpha IP app. Det mulige funktionsomfang defineres i afhængighed af de benyttede systemkomponenter.

Kommunikationen foregår via Alpha IP Cloud med den trådløse Homematic IP (HmIP) protokol. Den trådløse overførsel realiseres på en ikke eksklusiv transmissionsvej, hvorfor forstyrrelser ikke kan udelukkes. Forstyrrende påvirkninger kan f.eks. fremkaldes af koblingsprocesser, elmotorer eller defekte elektriske enheder. (jf. side 22, Henvvisninger om trådløs drift)



Rækkevidden i bygninger kan afvige kraftigt af rækkevidden udendørs (lydfelt).

3.1 Alpha IP app

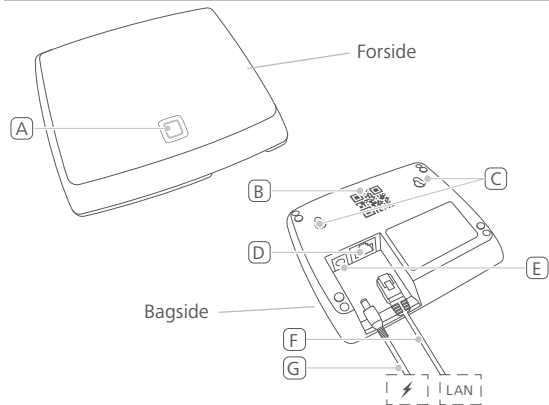
Hele Alpha IP systemet indstilles og styres via Alpha IP app. Forbundne komponenter tilordnes rummene med Alpha IP app'en. De indrettede rum, komponenter og alle informationer vises overskueligt.

3.2 Download af Alpha IP app'en

Alpha IP app'en står gratis til rådighed til at downloade både for Android fra version 4.4 og for iOS fra version 7. Alpha IP app'en kan leveres i Google Play Store (for Android-smartphones) og i App Store (for iPhones).

4 Oversigt over enheden

4.1 For- og bagside



- (A) Systemtast og LED
- (B) QR-kode og enhedens nummer (SGTIN)
- (C) Skruhuller
- (D) Netværkstilslutning
- (E) Tilslutning stiknetdel
- (F) Netværkskabel (leveringsomfang)
- (G) Stiknetdel (leveringsomfang)

4.2 Tekniske data

Kort betegnelse af enheden	HAP 21001
Forsyningsspænding	
Netdel primær (indgang)	100 V-240 V/50 Hz
Netdel sekundær (udgang)	5 V DC
Stiknetdelens effektforbrug	1,5 W maks.
Strømforbrug	500 mA maks.
Effektforbrug i hviledrift	1,1 W
Kapslingsklasse	IP 20
Omgivelsestemperatur	5 til 35 °C
Mål (B x H x D)	118 x 104 x 26 mm
Vægt	153 g
Radiofrekvens	868,3 MHz/869,525 MHz
Modtagerkategori	SRD category 2
Typ. Trådløs rækkevidde	400 m (i lydfelt)
Duty cycle	< 1 % pr. h/< 10 % pr. h
Netværk	10/100 MBit/s, Auto-MDIX
Direktiver	2014/53/EU Radioudstyr 2014/30/EU EMC 2011/65/EU RoHS

5 Ibrugtagning

I dette kapitel er ibrugtagningen af Alpha IP systemet beskrevet trin for trin. Når Access Point er taget i brug, kan der tilføjes yderligere Alpha IP enheder og integreres i Alpha IP systemet.

- (i) Alpha IP app'en står til rådighed for iOS og Android og kan downloades gratis i den tilsvarende App-Store.
- (ii) Til ibrugtagningen og driften kræves det, at der består en internetforbindelse.

5.1 Indstilling af enheden

1. Download Alpha IP app'en og installer den på din smartphone.
2. Åbn Alpha IP app'en på din smartphone. En assistent i app'en guider gennem installeringen.
3. Forbind Access Point med routeren via det leverede netværks (jf. side 18 nr. D).
4. Etablér spændingsforsyningen via den vedlagte stiknetdel (jf. side 18 nr. E).
5. Scan QR-koden (jf. side 18 nr. B) på bagsiden af Access Points.



Alternativt indlæses Access Points enhedsnummer (SGT-IN) manuelt i app'en.

6. Så snart LED'en i systemtasten (jf. side 18 nr. A) konstant lyser blå, bekræftes dette i app'en.



Ved en anden blinkreaktion følges anvisningerne i app'en eller fejlbeskrivelsen i kapitel 7.

- ✓ Access Point bliver registreret på serveren, det kan vare nogle minutter.
7. Efter vel gennemført registrering trykkes systemtasten (jf. side 18 nr. A) som bekræftelse.
- ✓ Instruktionsprocessen gennemføres.
 - ✓ Alpha IP Access Point er parat.

6 Montering



ALPHA IP Access Point skal anbringes mindst 50 cm fra din WLAN router.

Alpha IP Access Point anbringes på et bord eller monteres på væggen.

1. Til montering på væggen laves to 5 mm-boringer med en afstand på 7,5 cm.
2. Indsæt de medleverede rawplugs i borehullerne.
3. De medleverede skruer skrues så langt ind, at de rager 4 mm ud af væggen.
4. Hæng Alpha IP Access Point på skruerne.

7 Visninger

7.1 Statuslamper

Display	Betydning	Betydning
Konstant orangefarvet lys	Startproces	Afvent proceduren. lagttag blinkreaktionen.
Hurtigt blått blink	Opbygning af forbindelsen til serveren	Vent, til processen er afsluttet.
Konstant blått lys	Standarddrift, der er forbindelse med serveren	Der kan fortsættes med betjeningen.
Langt, grønt lys	Proces bekræftet	Bekræftelse af den udførte indstilling.
Skiftevis langt og kort orangefarvet blink	En aktualisering gennemføres	Vent, til processen er afsluttet.

7.2 Fejlvisninger

Display	Betydning	Løsning
Hurtigt gult blink	Ingen forbindelse til netværk eller router	Forbind Accesspoint med netværket/routeren.
Konstant gult lys	Ingen internetforbindelse	Kontroller internetforbindelsens og firewalls indstillinger.
Hurtigt, rødt blink	Aktualiseringsfejl	Kontroller server- og internetforbindelsen. Genstart Access Point ved kort at skille den fra netspændingen.
Hurtigt, orangefarvet blink	Fortrin til nulstilling til fabrikkens indstillinger	Tryk på systemtasten igen i 4 sekunder, indtil LED'en lyser grønt.
Langt, rødt lys	Nulstilling slået fejl	Gennemfør processen igen.

8 Rengøring

Rengør enheden med en blød, ren, tør og trævlefri klud. For at fjerne stærkere smuds kan kluden fugtes lidt med lunkent vand. Brug opløsningsmiddel frit rengøringsmiddel til rengøringen.

9 Etablering af fabrikkens indstillinger

Ved etablering af fabrikkens indstillinger går alle de indstillinger, som er foretaget, tabt. Fabrikstilstanden for de enkelte Alpha IP komponenter skal ligeledes genetableres.

1. Skil Access Point fra strømforsyningen. Hertil trækkes stikket ud af stikkontakten.
 2. Stik netstikket ind igen og tryk samtidig på systemtasten i 4 sek., indtil LED'en hurtigt blinker orange.
 3. Slip systemtasten.
 4. Tryk på systemtasten i yderligere 4 sekunder, indtil LED'en lyser grønt.
 5. Slip systemtasten igen.
- ✓ Enheden gennemfører en ny start.
Fabrikkens indstillinger er genetableret.

10 Radio-drift

Den trådløse overførsel realiseres på en ikke eksklusiv transmissionsvej, hvorfor forstyrrelser ikke kan udelukkes. Andre forstyrrende indflydelser kan fremkaldes ved, at der tændes/slukkes, af el-motorer eller defekte el-apparater. Rækkevidden i bygninger kan afvige meget fra rækkevidden udendørs. Bortset fra modtagernes sendeeffekt og modtageegenskaber spiller ikke kun byggeforholdene på stedet, men også miljøpåvirkninger som luftfugtighed en vigtig rolle. Alpha IP's systemkomponenter stemmer overens med de grundlæggende krav og de øvrige forskrifter i direktiv 2014/53/EU radioudstyr. Den fuldstændige konformitets-erklæring kan findes på www.alphaip.de.

10.1 Sendelimit (Duty Cycle)

Duty Cycle er en begrænsning af sendetiden for apparater i 868 MHz-området ifølge lovbestemmelserne. Et apparats maksimale sendetid er 1 % pr. time (altså 36 sekunder). Når sendetiden er nået, må apparater ikke længere sende, før tidsbegrænsningen er ovre. Dette kan i enkelte tilfælde eller ved ibrugtagning af et system forekomme på grund af radiointensive instruktionsprocesser. En overskridelse Duty Cycle kan vise sig ved en temporært manglende funktion. Efter maks. 1 time er enhedens funktion genoprettet.

11 Ud-af-drifttagning

1. Enheden sættes i fabrikkstilstanden.
2. Alle eksisterende kabler løsnes.
3. Afmonter enheden og bortskaf den korrekt.

12 Bortskaffelse



Enheden må ikke bortskaffes sammen med husholdningsaffaldet! Elektroniske apparater skal ifølge direktivet om brugte elektro- og elektronik-apparater bortskaffes via de offentlige indsamlingssteder for brugte elektronik-apparater!

Nærværende manuel er ophavsretligt beskyttet. Med forbehold for alle rettigheder. Uden producentens forudgående samtykke må der hverken foretages hel eller delvis kopiering, reproduktion, forkortelse eller videregivelse, hverken af mekanisk eller elektronisk art. © 2016



Sisältö

1 Tätä käyttöopasta koskien	25	11 Käytöstä poistaminen	32
1.1 Käyttöohjeen voimassaolo, säilytys ja välittäminen eteenpäin	25	12 Hävittäminen	32
1.2 Kuvakkeet	25		
2 Turvallisuus	25		
2.1 Määräystenmukainen käyttö	25		
2.2 Turvallisuusohjeet	26		
3 Toiminto	27		
3.1 Alpha IP App	27		
3.2 Lataa Alpha IP App puhelimeen	27		
4 Laitteen yleiskuva	28		
4.1 Etu- ja takapuoli	28		
4.2 Tekniset tiedot	28		
5 Käyttöönotto	29		
5.1 Laitteen valmistelu	29		
6 Asennus	30		
7 Näytöt	10		
7.1 Tilinäytöt	30		
7.2 Vikailmoitukset	31		
8 Laitteen puhdistus	31		
9 Tehdasasetusten palauttaminen	31		
10 Langaton käyttö	32		
10.1 Lähetyksrajoitus (Duty Cycle)	32		

1 Tätä käyttöopasta koskien

1.1 Käyttöohjeen voimassaolo, säilytys ja välittäminen eteenpäin

Tämä opas koskee laitetta Alpha IP Access Point HAP 21001. Tämä opas sisältää laitteen käyttöönottoa varten tarpeellisia tietoja. Lue ohjeet kokonaan ja perusteellisesti ennen laitteen käyttöä. Säilytä ohjeet ja anna ne seuraavalle käyttäjälle.



Tämä käyttöopas ja muut Alpha IP järjestelmätiedot löytyvät aina päivitettyinä osoitteesta www.alphaip.de.

1.2 Kuvakkeet

Tässä oppaassa käytetään seuraavia kuvakkeita:



Huomaa: Viittaa tärkeään tai hyödylliseen tietoon



Edellytys



Toiminnan tulos



Lista ilman kiinteää järjestystä

1., 2.

Lista, jossa on kiinteä järjestys

2 Turvallisuus

2.1 Määräystenmukainen käyttö

Access Point HAP 21001 on osa Alpha IP -järjestelmää ja sitä käytetään

- asuintilojen kaltaisten ympäristöjen asennuksissa,
- keskusyksikkönä yhdistämään järjestelmä älypuhelimien Alpha IP Cloud -palvelimen kautta,
- langattomaan tiedonsiirtoon Alpha IP -verkossa,
- Alpha IP-järjestelmän ja siihen kuuluvien laitteiden konfiguroimiseen ja käyttöön,
- yhdistettyjen laitteiden etäkäyttöön.

Kaikki muut käyttötavat, muutokset tai muunnokset ovat kiellettyjä. Määräystenvastainen käyttö aiheuttaa riskejä, joista valmistaja ei vastaa, eli takuun raukeamisen.

2.2 Turvallisuusohjeet

Huomioi kaikki tämän käyttöoppaan sisältämät turvallisuusohjeet henkilö- ja esinevahinkojen estämiseksi. Valmistaja ei vastaa henkilö- tai esinevahingoista, joiden syynä on ollut epäasiallinen käyttö tai turvallisuusohjeiden noudattamatta jättäminen. Sellaisessa tapauksessa takuu raukeaa kokonaan. Valmistaja ei vastaa seurauksista.

- Laitteen virransyöttöön saa käyttää vain mukana toimitettua verkkolaitetta (5 V DC/550 mA).
- Käytä laitetta vain moitteettomassa kunnossa.
- Kytke laitteet vain sellaiseen pistorasiaan, johon on olemassa helppo pääsy.
- Vedä laite pistorasiasta vaaratilanteissa.
- Noudata laitteen tehorojoituksia ja ilmoitettuja ympäristöolosuhteita.
- Sijoita kytkettyjen laitteiden kaapelit siten, että niistä ei ole vaaraa ihmisille tai lemmikeille (esim. kompastusvaara).
- Laitetta saa käyttää vain kuivissa ja pölyttymissä tiloissa.
- Älä altista laitetta kosteudelle, tärinälle, jatkuvalle auringonpaisteelle tai muulle lämpösäteilylle, pakkaselle tai mekaaniselle rasitukselle.
- Varmista, että lapset eivät voi leikkiä laitteen tai pakkausmateriaalin kanssa. Tarvittaessa lapsia on valvottava.

3 Toiminto

Access Point (HAP 21001) on Alpha IP -järjestelmän keskusyksikkö. HAP 21001 tarjoaa pilvipalvelimen kautta maailmanlaajuisen pääsyn älypuhelimien appin avulla ja takaa ohjelmiston ajantasaisuuden automaattisten järjestelmäpäivitysten avulla.

HAP 21001 ja yhdistettyjen Alpha IP -laitteiden konfigurointi ja käyttö suoritetaan helppokäyttöisesti ja yksilöllisesti älypuhelimien Alpha IP -appin avulla. Mahdollinen toimintolaajuus määräytyy järjestelmässä olevista laitteista.

Tiedonsiirto tapahtuu Alpha IP Cloud -palvelimen kautta Homeatic IP (HmIP) langattoman protokollan avulla. Langaton tiedonsiirto käyttää avointa siirtoa, minkä vuoksi häiriöitä ei voida sulkea pois. Häiriölähteenä voivat toimia esim. kytkentätapahtumat, sähkömoottorit tai vialliset sähkölaitteet. (vrt. sivu 32, Ohjeet langattomaan käyttöön)



Laitteen toimintasäde rakennusten sisällä voi poiketa huomattavasti ulkotilassa olevasta toimintasäteestä.

3.1 Alpha IP App

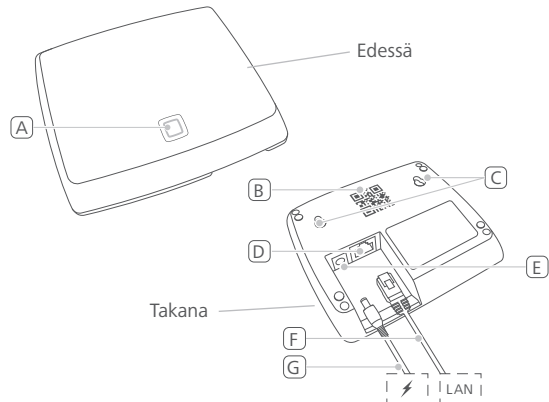
Alpha IP Appin kautta konfiguroidaan koko Alpha IP -järjestelmä ja ohjataan sitä. Alpha IP Appin avulla yhdistetyt laitteet varataan eri tiloihin. Varatut tilat, laitteet ja kaikki tiedot näkyvät havainnollisesti.

3.2 Lataa Alpha IP App puhelimeen

Alpha IP App on ilmaiseksi ladattavissa Androidille versiosta 4.4 alkaen sekä iOSille versiosta 7 alkaen. Alpha IP App löytyy Google Play Storesta (Android-älypuhelimille) ja App Storesta (iPhoneille).

4 Laitteen yleiskuva

4.1 Etu- ja takapuoli



- (A) Järjestelmäpainike ja merkkivalo
 (B) QR-koodi ja laitenumero (SGTIN)
 (C) Ruuvikolot
 (D) Kytkeminen verkkovirtaan
 (E) Kytkeminen verkkolaitteeseen
 (F) Sähköjohto (mukana)
 (G) Verkkolaite (mukana)

4.2 Tekniset tiedot

Laitteen nimi	HAP 21001
Syöttöjännite	
Ensijainen verkkolaite (tulo)	100 V-240 V/50 Hz
Toissijainen verkkolaite (lähtö)	5 V DC
Verkkolaitteen ottoteho	1,5 W max.
Sähkönkulutus	500 mA max.
Valmiustilan ottoteho	1,1 W
Suojaustapa	IP 20
Ympäristön lämpötila	5 ... 35 °C
Mitat (L x K x S)	118 x 104 x 26 mm
Paino	153 g
Radiotaajuus	868,3 MHz/869,525 MHz
Vastaanotinluokka	SRD category 2
Tyyp. langaton toimintasäde	400 m (ulkotiloissa)
Duty Cycle	< 1 % per h/< 10 % per h
Verkko	10/100 MBit/s, Auto-MDIX
Direktiivit	2014/53/EU Radiolaitteet 2014/30/EU EMV 2011/65/EU RoHS

5 Käyttöönotto

Tässä luvussa kuvataan Alpha IP -järjestelmän käyttöönotto askel askelelta. Kun Access Points on otettu käyttöön, voidaan lisätä muita Alpha IP -laitteita Alpha IP -järjestelmään.

- (i) Alpha IP App on saatavissa iOS ja Android -käyttöjärjestelmille ja se voidaan ladata vastaavasta sovelluskaupasta maksutta.
- (ii) Laitteen käyttöönotto ja käyttö edellyttää olemassa olevaa nettiyhteyttä.

5.1 Laitteen valmistelu

1. Lataa Alpha IP App sovelluskaupasta ja asenna se älypuheliin.
2. Käynnistä Alpha IP App älypuhelimessa. Appin avustaja ohjaa asennuksen läpi.
3. Kytke Access Point mukana toimitetun sähköjohdon avulla reitittimeen (vrt. sivu 28 nro D).
4. Järjestä virransyöttö mukana olevan verkkolaitteen avulla (vrt. sivu 28 nro E).
5. Skannaa QR-koodi (vrt. sivu 28 nro B) Access Pointin takaa.



Vaihtoehtona voit syöttää Access Pointin laitenumeron (SGTIN) manuaalisesti appiin.

6. Sen jälkeen kun järjestelmäpainikkeen (vrt. sivu 28 nro A) sinisen merkkivalo palaa tasaisesti, vahvista se appissa.



Jos jokin toinen vilkkuminen tapahtuu, noudata appin ohjeita tai katso luvun 7 vikakuvaukset.

- ✓ Access Point rekisteröityy palvelimessa, tämä voi kestää joitakin minutteja.
7. Kun rekisteröinti on päättynyt, paina järjestelmäpainiketta (vrt. sivu 28 nro A).
 - ✓ Sovittaminen suoritetaan.
 - ✓ Alpha IP Access Point on käyttövalmis.

6 Asennus



Alpha IP Access Point tulee olla vähintään 50 cm WLAN-reitittimestä.

Alpha IP Access Point asetetaan pöydälle tai kiinnitetään seinään.

1. Seinään kiinnittämistä varten on porattava kaksi 5 mm reikää 7,5 cm välimatkalla.
2. Työnnä mukana toimitetut tulpat porausreikiin.
3. Aseta mukana toimitetut ruuvit sen verran seinään, että ne ulottuvat 4 mm seinästä ulos.
4. Ripusta Alpha IP Access Point ruuvien varaan.

7 Näytöt

7.1 Tilanäytöt

Näyttö	Merkitys	Merkitys
Oranssi palaa tasaisesti	Käynnistys	Odota toimenpiteen päättymistä. Huomioi vilkkuminen.
Sininen vilkkuu nopeasti	Yhteys palvelimeen luodaan	Odota toimenpiteen päättymistä.
Sininen palaa tasaisesti	Normaali käyttö, yhteys palvelimeen pelaa	Laitteen käyttöä voidaan jatkaa.
Vihreä palaa pitkään	Toimenpide on vahvistettu	Tehtyjen asetusten vahvistus.
Oranssi vilkkuu vuorotellen pitkään ja lyhyesti	Ohjelmisto päivitetään	Odota toimenpiteen päättymistä.

7.2 Vikailmoitukset

Näyttö	Merkitys	Ratkaisu
Keltainen vilkku nopeasti	Verkkoon tai reitittimeen ei saada yhteyttä	Kytke Access Point verkkoon/reitittimeen.
Keltainen palaa tasaisesti	Internet-yhteys puuttuu	Tarkista nettiyhteys ja palomuuriasetukset.
Punainen vilkku nopeasti	Päivityksessä oli virhe	Tarkista palvelin- ja nettiyhteys. Käynnistä Access Point uudestaan irrottamalla se lyhyesti verkkovirrasta.
Oranssi vilkku nopeasti	Ennen tehdasasetusten palauttamista	Paina järjestelmäpainiketta lisää 4 sekunnin ajan, kunnes vihreä merkkivalo syttyy.
Punainen palaa pitkään	Tehdasasetusten palautus epäonnistui.	Suorita toimenpide uudestaan.

8 Laitteen puhdistus

Käytä laitteen puhdistamisen pehmeää, puhdasta, kuivaa ja nukautonta liinaa. Sitkeän lian kohdalla voidaan käyttää liinaa, joka on kostutettu lämpimällä vedellä. Käytä vain puhdistusaineita, joissa ei ole liuottimia.

9 Tehdasasetusten palauttaminen

Tehdasasetusten palautus hävittää kaikki aikaisemmat asetukset. Myös yksittäisten Alpha IP -laitteiden tehdasasetukset on palautettava.

1. Irrota Access Point virransyötöstä. Vedä verkkopistoke pistorasiasista.
 2. Työnnä verkkopistoke takaisin pistorasiaan ja paina samanaikaisesti järjestelmäpainiketta 4 sekunnin ajan, kunnes oranssi merkkivalo vilkkuu nopeasti.
 3. Päästä järjestelmäpainikkeesta.
 4. Paina järjestelmäpainiketta lisää 4 sekunnin ajan, kunnes vihreä merkkivalo syttyy.
 5. Päästä irti järjestelmäpainikkeesta.
- ✓ Laite käynnistyy uudestaan.
- Tehdasasetukset ovat taas voimassa.

10 Langaton käyttö

Langaton tiedonsiirto käyttää avointa siirtoa, minkä vuoksi häiriöitä ei voida sulkea pois. Häiriölähteenä voivat toimia esim. kytkentätapahtumat, sähkömoottorit tai vialliset sähkölaitteet. Laitteen toimintasäde rakennusten sisällä voi poiketa huomattavasti ulkotilassa olevasta toimintasäteestä. Lähetystehosta ja vastaanottimien ominaisuuksien lisäksi vaikuttavat ympäristötekijät kuten ilman kosteus sekä rakennetun ympäristön ominaisuudet. Alpha IP järjestelmäkomponentit ovat yhteensopivia direktiivin 2014/53/EU Radiolaitteet perusvaatimusten ja muiden ohjeiden kanssa. Vaatimustenmukaisuusvakuutus löytyy osoitteesta www.alphaip.de.

10.1 Lähetysrajoitus (Duty Cycle)

Duty Cycle on lakiin perustuva lähetysajan rajoitus 868 MHz:n laitteille. Laitteen enimmäislähetysaika on 1 % tunnissa eli 36 sekuntia. Kun tämä lähetysaika on täyttynyt, laite ei saa enää lähettää, kunnes rajoitus poistuu. Näin voi joissain tapauksissa käydä, esim. järjestelmän käyttöönoton yhteydessä, kun paljon tietoja pitää välittää. Duty Cyclen ylitys aiheuttaa sen, että ohimenevästi laite ei toimi. Viimeistään 1 tunnin kuluttua laite alkaa toimia taas.

11 Käytöstä poistaminen

1. Palauta laite tehdaskuntoon.
2. Irrota kaikki kaapelit.
3. Irrota laite ja toimita se asianomaiseen kierrätyspisteeseen.

12 Hävittäminen



Älä toimita laitetta talousjätteisiin! Sähkölaitteet tulee toimittaa paikalliseen sähköromun keräyspisteeseen asianmukaisen direktiivin ohjeiden mukaisesti.

Tämä käsikirja on suojattu tekijänoikeuslain nojalla. Kaikki oikeudet pidätetään. Käsikirjaa ei saa kopioida, monistaa, lyhentää tai siirtää missään muodossa, kokonaan tai osittain, mekaanisesti tai elektronisesti, ilman valmistajan ennalta antamaa lupaa. © 2016



Innehåll

1 Om denna anvisning	35	11 Urdrifttagning	42
1.1 Giltighet, förvaring och vidarelämning av anvisningen	35	12 Avfallshantering	42
1.2 Symboler	35		
2 Säkerhet	35		
2.1 Ändamålsenlig användning	35		
2.2 Säkerhetstips	36		
3 Funktion	37		
3.1 Alpha IP App	37		
3.2 Nedladdning av ownload der Alpha IP appen	37		
4 Apparatöversikt	38		
4.1 Fram- och baksida	38		
4.2 Tekniska data	38		
5 Idrifttagning	39		
5.1 Injustering av apparaten	39		
6 Montage	40		
7 Indikationer	40		
7.1 Statusindikation	40		
7.2 Felindikationer	41		
8 Rengöring	41		
9 Återställning av fabriksinställningar	41		
10 Radiodrift	42		
10.1 Sändningslimit (Duty Cycle)	42		

1 Om denna anvisning

1.1 Giltighet, förvaring och vidarelämning av anvisningen

Denna anvisning gäller för Alpha IP Access Point HAP 21001. Anvisningen innehåller för idrifttagning nödvändig information. Innan arbetet med apparaten skall denna anvisning läsas fullständigt och noggrant. Denna anvisning skall sparas och lämnas vidare till efterföljande användare.



Denna anvisning/ytterligare Alpha IP systeminformationer finns alltid aktuellt på www.alphaip.de.

1.2 Symboler

Följande symboler används i denna anvisning:



Tips: Betecknar en viktig eller nyttig information



Förutsättning



Resultat som följer en åtgärd



Uppräkning utan fast ordningsföljd

1., 2.

Anvisning med fast ordningsföljd

2 Säkerhet

2.1 Ändamålsenlig användning

Access Point HAP 21 001 är en beståndsdel av Alpha IP systemet och är avsedd för

- installation i hemliknande miljöer,
- som centralenhet för koppling av systemet till smartphones över Alpha IP Cloud,
- den trådlösa kommunikationen inom Alpha IP nätverket,
- konfiguration och användning av Alpha IP systemet och tillhörande komponenter,
- fjärråtkomst till anslutna komponenter.

All annan användning, ändring och ombyggnationer är uttryckligen förbjudna. En icke ändamålsenlig användning leder till risker, som tillverkaren inte ansvarar för och till upphävande av garantin.

2.2 Säkerhetstips

För att undvika person- och sakskador måste alla säkerhetsinstruktioner i denna anvisning följas. För person- och sakskador som förorsakas genom felaktig användning eller negligerande av riskinformation ansvaras inte. I dessa fall upphör all anspråk på skadestånd! För följdskador ansvaras inte!

- Använd endast medföljande nätdel (5 V DC/550 mA) för apparatens strömförsörjning.
- Använd apparaten endast i tekniskt perfekt tillstånd.
- Anslut apparaten endast till en lätt tillgänglig kontakt
- Dra ut väggkontakten vid fara.
- Observera apparatens prestationsgränser och des omgivningsvillkor.
- Lägg kabeln av en ansluten utrustning (t.ex. lampor) så att ingen risk för människor eller husdjur uppstår (snubbelrisk).
- Använd apparaten endast i torr och dammfri miljö.
- Utsätt apparaten inte för fukt, vibrationer, konstant sol- eller värmestrålning, kyla eller mekanisk påfrestning.
- Se till att inga barn leker med produkten eller förpackningen. Håll barn vid behov under uppsikt.

3 Funktion

Access Point (HAP 21001) är Alpha IP systemets centrala styrenhet. Cloudstyrd erbjuder HAP 21001 åtkomst genom smartphone appen över hela världen och garanterar den aktuella mjukvaran genom automatiska systemuppdateringar.

Konfigurationen och användningen av HAP 21001 resp. anslutna Alpha IP komponenter sker bekvämt och individuellt med Alpha IP appen med smartphone. Beroende på använda systemkomponenter definieras den möjliga funktionsomfattningen.

Kommunikationen sker genom Alpha IP Cloud med Homematic IP (HmIP) radioprotokollet. Radioöverföringen sker på ett icke exklusivt sätt, därför kan störningar inte uteslutas. Störningar kan t.ex. förorsakas av kopplingsprocesser, elektromotorer eller träsiga elektriska apparater. (jfr sida 42, tips radiodrift)

Räckvidden i byggnader kan avvika starkt från den utanför i det fria.

3.1 Alpha IP appen

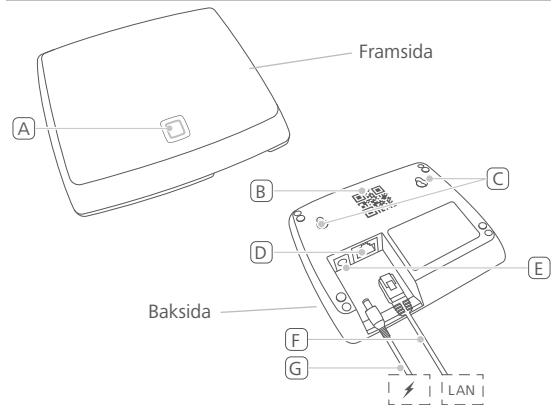
Med Alpha IP appen installeras och styrs hela Alpha IP systemet. Med Alpha IP appen tilldelas rummen de anslutna komponenterna. De upprättade rummen, komponenterna och all information visas överskådligt.

3.2 Nedladdning av Alpha IP appen

Alpha IP appen finns kostnadsfritt att ladda ner för såväl Android fr.o.m. version 4.4 som för iOS från version 7. Alpha IP appen finns i Google Play Store (för Android smartphones) och i App Store (för iPhones)

4 Apparatöversikt

4.1 Fram- och baksida



- (A) Systemknapp och LED
 (B) QR-kod och apparatnummer (SGTIN)
 (C) Skruvhål
 (D) Nätverksanslutning
 (E) Anslutning kontaktnät
 (F) Nätverkskabel (medföljande)
 (G) Kontaktnät (medföljande)

4.2 Tekniska data

Apparat kortbeteckning	HAP 21001
Försörjningsspänning	
Nät del primär (ingång)	100 V-240 V/50 Hz
Nät del sekundär (utgång)	5 V DC
Effektupptag från kontaktnät-delen	1,5 W max.
Strömupptagning	500 mA max.
Effektupptag i vilodrift	1,1 W
Skyddstyp	IP 20
Omgivningstemperatur	5 till 35 °C
Mått (B x H x D)	118 x 104 x 1,9685 tum
Vikt	153 g
Radiofrekvens	868,3 MHz/869,525 MHz
Mottagarkategori	SRD kategori 2
Typ. Radioräckvidd	400 m (i det fria)
Duty Cycle	< 1 % pro h/< 10 % pro h
Nätverk	10/100 MBit/s, Auto-MDIX
Direktiv	2014/53/EU Radioan-läggningar 2014/30/EU EMV 2011/65/EU RoHs

5 Idrifttagning

I detta kapitel beskrivs idrifttagningen av Alpha IP systemet steg för steg. Efter idrifttagningen av Access Pointen kan ytterligare Alpha IP utrustning tillfogas och i Alpha IP systemet integreras.

- (i) Alpha IP appen finns för iOS och Android och kan i respektive App-Store kostnadsfritt laddas ner.
- (ii) För idrifttagning och användning behövs en bestående internetanslutning.

5.1 Injustering av apparaten

1. Ladda ner Alpha IP appen och installera på smartphonen.
2. Öppna Alpha IP appen i smartphonen. En assistent i appen leder genom installationen.
3. Anslut Access Pointen med medföljande nätverkskabel till routern (jfr sida 38 nr. D).
4. Etablera spänningsförsörjningen med bifogad kontaktnättdel (jfr sida 38 nr. E).
5. Skanna QR-koden (jfr sida 38 nr. B) på baksidan av Access Pointen.



Alternativt kan Access Pointens apparatnumret (SGTIN) matas in manuellt i appen.

6. När systemknappens LED lyser permanent blått (jfr sida 38 nr. A) bekräfta i appen.



Följ anvisningarna i appen vid annat blinkbeteende eller följ felbeskrivningen i kapitel 2 7.

- ✓ Access Pointen registreras i servern, detta kan ta några minuter.
7. Tryck systemknappen efter lyckad registrering (jfr sida 38 nr. A).
- ✓ Inläringen genomförs.
 - ✓ Alpha IP Access Pointen är driftsklar.

6 Montage



ALPHA IP Access Point måste placeras minst 50 cm från WLAN routern.

Alpha IP Access Pointen placeras på ett bord eller monteras på väggen.

1. Gör två hål i väggen med ett avstånd på 7,5 cm för montaget.
2. Stoppa medföljande plugg i borrhålen.
3. Skruv in medföljande skruvar tills de står 4 mm ut ur väggen.
4. Häng Alpha IP Access Pointen i skruvarna.

7 Indikationer

7.1 Statusindikationer

Indikation	Betydelse	Betydelse
Permanent orange ljus	Startprocess	Avvakta processen Observera blinkbetendet.
Snabb blå blinkning	Förbindelseuppbyggnad till servern	Vänta tills åtgärden är avslutad.
Permanent blått ljus	Standarddrift, existerande förbindelse till servern	Användningen kan fortsätta.
Långt, grönt ljus	Bekräfta åtgärden	Bekräftelse av gjorda inställningar.
Alternerande lång och kort orange blinkning	Uppdateringar genomförs	Vänta tills åtgärden är avslutad.

7.2 Felindikationer

Indikation	Betydelse	Lösning
Snabb gul blinkning	Ingen kontakt till nätverket eller routern	Anslut Accesspointen till nätverket/routern.
Permanent gult ljus	ingen internetanslutning	Kontrollera internetanslutningen och brandvägginställningen.
Snabb röd blinkning	Uppdateringsfel	Kontrollera server- och internetanslutningen. Starta om Access Pointen genom kort nedkoppling av nätspänningen.
Snabb orange blinkning	Steget för återställning av fabriksinställningarna	Tryck systemknappen på nytt under 4 sekunder tills LED lampan lyser grönt.
Långt rött ljus	Återställning misslyckad	Upprepa åtgärden på nytt.

8 Rengöring

Rengör apparaten med en mjuk, ren och luddfri trasa. För borttagning av grövre smuts kan trasan fuktas med ljummet vatten. Använd rengöringsmedel utan lösningemedel för rengöringen.

9 Återställa fabriksinställningar

Genom återställning till fabriksinställningar trappas alla gjorda insdtällningar. Även fabriksinställningarna av respektive Alpha IP komponenter måste återställas.

1. Skilj Access Pointen från strömförsörjningen Dra ut nätkontakten därtill.
 2. Sätt nätkontakten tillbaka och tryck samtidigt systemknappen under 4 s, tills LED lampan snabbt blinkar ornage.
 3. Släpp systemknappen.
 4. Tryck systemknappen under ytterligare 4 sekunder tills LED lampan lyser grönt.
 5. Släpp systemknappen igen.
- ✓ Apparaten utför en nystart.
Fabriksinställningarna är återställda.

10 Radiodrift

Radioöverföringen sker på ett icke exklusivt sätt, därför kan störningar inte uteslutas. Ytterligare störningar kan förorsakas av kopplingsprocesser, elmotorer eller trasiga elektriska apparater. Räckvidden i byggnader kan avvika starkt från den utanför i det fria. Förutom sändningseffekten och egenskapen av mottagarna spelar omvärldspåverkan såsom luftfuktighet bredvid konstruktionsförutsättningar på plats en viktig roll. Alpha IPs systemkomponenter är i överensstämmelse med de grundläggande kraven och relevanta föreskrifter enligt direktiv 2014/53/EU för radioanläggningar. Den fullständiga konformitetsdeklareringen finns på www.alphaip.de.

10.1 Sändningslimit (Duty Cycle)

Duty Cycle är en lagstadd begränsning av sändningstiden för utrustning 868 MHz området. Den maximala sändningstiden för en apparat är 1 % per timme (dvs. 36 Sekunden). Apparaten får vid uppnådd sändningstid inte längre sända, tills tidsbegränsningen är över. Dett kan ske vid enstaka tillfällen eller t.ex. vid idrifttagning av ett system genom radiointensiva inlärningsprocesser. En överskridning av Duty Cycle kan visa sig genom temporärt otillgängliga funktioner Efter max. 1 timme är apparatens funktion återställd.

11 Urdrifttagning

1. Återställa apparaten till fabriksinställningar.
2. Lossa alla anslutna kablar.
3. Demontera apparaten och kassera enligt reglerna för avfallshandling.

12 Avfallshandling



Apparaten får inte kastas med hushållssopor! Elektroniska apparater skall enligt direktivet om begagnad elektrisk och elektronisk utrustning lämnas till ett lokalt insamlingsställe för begagnad elektronik.

Denna manual är upphovsrättsskyddad. Alla rättigheter förbehålls. Den får varken helt eller delvis kopieras, reproduceras, avkortas eller överföras i någon form utan tillverkarens godkännande, varken mekaniskt eller elektroniskt. © 2016



Spis treści

1	Informacje o niniejszej instrukcji	45	11 Wyłączenie z ruchu	52
1.1	Ważność, przechowywanie i przekazywanie dalszym użytkownikom niniejszej instrukcji	45	12 Utylizacja	52
1.2	Symbole	45		
2	Bezpieczeństwo	45		
2.1	Użytkowanie zgodne z przeznaczeniem	45		
2.2	Zasady bezpieczeństwa	46		
3	Funkcje	47		
3.1	Alpha IP App	47		
3.2	Pobieranie Alpha IP App	47		
4	Przegląd urządzenia	48		
4.1	Strona przednia i tylna	48		
4.2	Dane techniczne	48		
5	Rozruch	49		
5.1	Ustawienie urządzenia	49		
6	Montaż	50		
7	Wyświetlacz	50		
7.1	Informacje statusowe	50		
7.2	Komunikaty o błędach	51		
8	Czyszczenie	51		
9	Odtwarzanie ustawień fabrycznych	51		
10	Praca zdalna	52		
10.1	Limit wysyłania (Duty Cycle)	52		

1 Informacje o niniejszej instrukcji

1.1 Obowiązki, przechowywanie i przekazywanie instrukcji

Instrukcja dotyczy Alpha IP Access Point HAP 21001. Instrukcja zawiera informacje, ważne do rozruchu. Przed rozpoczęciem pracy z użyciem urządzenia należy dokładnie i w całości zapoznać się z instrukcją. Należy przechowywać instrukcję i przekazywać ją kolejnym użytkownikom.



Niniejsza instrukcja/dodatkowe informacje systemowe Alpha IP w wersji stale aktualnej są dostępne na stronie www.alphaip.de.

1.2 Symbole

W niniejszej instrukcji używane są następujące symbole:



- **Informacja:** Oznacza ważną lub przydatną informację
- ✓ Warunek
- Rezultat, wynikający z przeprowadzonej czynności
- Wyliczenie bez ustalonej kolejności
- 1., 2. Wyliczenie z ustaloną kolejnością

2 Bezpieczeństwo

2.1 Użytkowanie w sposób zgodny z przeznaczeniem

Access Point HAP 21001 jest elementem składowym Alpha IP Systems i służy do

- do instalacji w otoczeniu o charakterze mieszkalnym,
- jako jednostka centralna połączenia systemu ze smartfonem za pośrednictwem Alpha IP Cloud,
- bezprzewodowej komunikacji w sieci Alpha IP.
- do konfiguracji i obsługi systemu Alpha IP Systems i przynależnych elementów,
- do zdalnego dostępu do połączonych elementów

Użycie urządzenia w inny sposób, zmiany i przebudowy są zakazane. Użytkowanie w sposób niezgodny z przeznaczeniem prowadzi do zagrożeń, za które producent nie odpowiada oraz do utraty gwarancji i wykluczenia odpowiedzialności.

2.2 Zasady bezpieczeństwa

W celu uniknięcia wypadków, skutkujących szkodami osobowymi i materialnymi, należy przestrzegać wszystkich zasad bezpieczeństwa, zawartych w niniejszej instrukcji. Nie przejmuje się odpowiedzialności za wystąpienie szkód osobowych i materialnych z powodu niewłaściwej obsługi lub niestosowania się do informacji o zagrożeniach. W takich przypadkach wygasają wszelkie uprawnienia z tytułu gwarancji. Nie przejmuje się odpowiedzialności za następstwa szkód.

- W celu zasilania energią elektryczną należy korzystać wyłącznie z dostarczonego zasilacza sieciowego (5 V DC/550 mA).
- Urządzenie należy użytkować jedynie w nienagannym stanie technicznym.
- Urządzenie należy podłączać tylko do łatwo dostępnego gniazda sieciowego.
- W razie zagrożenia należy wyciągnąć wtyczkę z gniazdka.
- Należy przestrzegać zasad dotyczących ograniczeń możliwości urządzenia i warunków otoczenia.
- Kable podłączonych odbiorników należy tak układać, aby nie powstało zagrożenie dla osób i zwierząt domowych (np. wskutek potknięcia).
- Urządzenie należy użytkować wyłącznie w środowisku suchym, wolnym od pyłu.

- Nie wystawiać urządzenia na wpływ wilgoci, wibracji, ciągłego nasłonecznienia lub promieniowania ciepłego, zimna ani obciążeń mechanicznych.
- Należy dopilnować, aby urządzeniem ani opakowaniem nie bawiły się dzieci. Ewentualnie należy nadzorować dzieci, zajmujące się urządzeniem.

ENG

DAN

NOR

FIN

SWE

POL

RUS

3 Funkcja

Access Point (HAP 21001) jest centralną jednostką systemową Alpha IP Systems. HAP 21001 umożliwia dostęp przez aplikację smartfonową z każdego miejsca na świecie i gwarantuje aktualność oprogramowania i automatyczne aktualizacje dzięki sterowaniu z pozycji chmury.

Konfiguracja i obsługa HAP 21001 lub powiązanych elementów Alpha IP realizowana jest komfortowo, według indywidualnych upodobań dzięki Alpha IP App za pomocą smartfona. W zależności od użytych elementów systemu następuje definiowanie zakresu funkcji.

Komunikacja odbywa się za pośrednictwem Alpha IP Cloud we współpracy z protokołem radiowym Homematic IP (HmIP). Droga transmisji radiowej nie jest przyporządkowana wyłącznie do urządzenia, dlatego zakłócenia nie są wykluczone. Zakłócenia mogą być np. spowodowane przez procesy przełączeń, silniki elektryczne lub uszkodzone urządzenia elektryczne. (por. strona 52, informacje o połączeniu radiowym)



Zasięg wewnątrz budynków może się znacznie różnić od zasięgu na wolnym powietrzu.

3.1 Alpha IP App

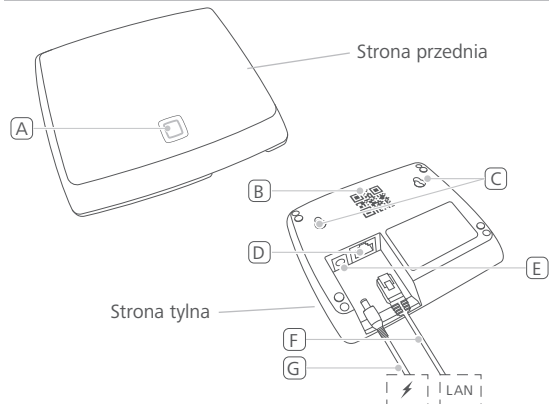
Alpha IP App służy do ustawiania i sterowania systemu Alpha IP. Za pośrednictwem Alpha IP App realizowane jest przyporządkowanie powiązanych elementów pomieszczeń. Pomieszczenia, elementy i wszystkie informacje prezentowane są bardzo przejrzysto.

3.2 Pobieranie Alpha IP App

Alpha IP App jest dostępna dla systemu Android od wersji 4.4 jak również dla iOS od wersji 7 bezpłatnie, z możliwością pobrania. Alpha IP App jest dostępna w Google Play Store (dla smartfonów z systemem Android) oraz w App Store (dla iPhone).

4 Przegląd urządzenia

4.1 Przednia i tylna strona



- (A) Przycisk systemowy i LED
- (B) Kod QR i numer urządzenia (SGTIN)
- (C) Otwory do montażu śrub
- (D) Przyłącze sieciowe
- (E) Przyłącze zasilacza sieciowego
- (F) Kabel sieciowy (zakres dostawy)
- (G) Zasilacz sieciowy (zakres dostawy)

4.2 Dane techniczne

Skrócona nazwa urządzenia	HAP 21001
Napięcie zasilania	
Pierwotne zasilanie z zasilacza sieciowego (wejście)	100 V-240 V/50 Hz
Wtórne zasilanie z zasilacza sieciowego (wyjście)	5 V DC
Pobór mocy przez zasilacz sieciowy	1,5 W max.
Pobór prądu	500 mA max.
Pobór mocy w trybie spoczynkowym	1,1 W
Stopień ochrony	IP 20
Temperatura otoczenia	5 do 35 °C
Wymiary (dł. x szer. x wys.)	118 x 104 x 26 mm
Masa	153 g
Częstotliwość radiowa	868,3 MHz/869,525 MHz
Kategoria odbiornika	SRD category 2
Typ. Zasięg fal radiowych	400 m (na wolnym powietrzu)
Duty Cycle	< 1 % / h / < 10 % / h
Sieć	10/100 MBit/s, Auto-MDIX
Dyrektywy	2014/53/EU Urządzenia radiowe 2014/30/EU Zgodność elektromagnetyczna 2011/65/EU RoHS

5 Uruchomienie

W tym rozdziale opisano uruchomienie systemu Alpha IP Systems krok po kroku. Po uruchomieniu Access Point możliwe jest dodanie innych urządzeń Alpha IP oraz zintegrowanie systemu Alpha IP.

- (i) Alpha IP App dostępna jest dla systemów iOS i Android i dostępna jest do bezpłatnego pobrania w odpowiednim sklepie z aplikacjami.
- (ii) Uruchomienie i praca systemu wymaga trwałego połączenia internetowego.

5.1 Ustawienie urządzenia

1. Zależy pobrać Alpha IP App i zainstalować na smartfonie.
2. Otworzyć Alpha IP App na smartfonie. Asystent poprowadzi przez proces instalacji aplikacji.
3. Access Point podłącza się dołączonym kablem sieciowym do routera (por. strona 48 nr D).
4. Należy podłączyć zasilanie za pomocą dołączonego zasilacza sieciowego (por. strona 48 nr E).
5. Zeskanować kod QR (por. strona 48 nr B) z tyłu Access Points.



Alternatywę stanowi możliwość ręcznego wpisania numeru urządzenia (SGTIN) Access Points za pomocą aplikacji.

6. Dopóki dioda LED w przycisku systemowym (por. strona 48 nr A) świeci stale na niebiesko, potwierdzić kod w aplikacji.



W przypadku innego sposobu pulsowania należy postępować według poleceń aplikacji lub opisu błędu w rozdziale 7.

- ✓ Nastąpi rejestracja Access Point na serwerze, proces ten może potrwać kilka minut.
7. Po zarejestrowaniu urządzenia z powodzeniem należy wcisnąć przycisk systemowy w celu potwierdzenia (por. strona 48 nr A).
- ✓ Nastąpi procedura przyuczenia.
 - ✓ Alpha IP Access Point jest gotowy do pracy.

6 Montaż



ALPHA IP Access Points powinny znajdować się w minimalnej odległości 50 cm od routera WLAN.

Możliwe jest umieszczenie Alpha IP Access Point na stole lub montaż na ścianie.

1. W celu montażu należy wykonać dwa otwory 5 mm w odległości 7,5 cm.
2. Dołączone kołki należy umieścić w otworach.
3. Dołączone śruby wkręcić tak, aby wystawały ze ściany na 4 mm.
4. Zawiesić Alpha IP Access Point na śrubach.

7 Wskaźniki

7.1 Wskaźniki statusu

Wskazanie	Znaczenie	Znaczenie
Ciągłe światło pomarańczowe	Proces startu	Odczekać do zakończenia procesu. Obserwować pulsowanie światła.
Szybkie pulsowanie światła niebieskiego	Tworzenie połączenia z serwerem	Odczekać do zakończenia procesu.
Ciągłe światło niebieskie	Tryb standardowy, obecne połączenie z serwerem	Możliwość kontynuacji obsługi urządzenia.
Ciągłe światło zielone	Proces potwierdzony	Potwierdzenie wprowadzonego ustawienia.
Długie i krótkie pulsowanie światła pomarańczowego na zmianę	Aktualizacja systemu	Odczekać do zakończenia procesu.

7.2 Wskaźniki błędów

Wskazanie	Znaczenie	Rozwiązanie
Szybkie pulsowanie światła żółtego	Brak połączenia z siecią lub routerem	Połączyć Accesspoint z siecią lub routerem.
Ciągłe światło żółte	brak połączenia internetowego	Sprawdzić połączenie internetowe i ustawienia firewalla.
Szybkie pulsowanie światła czerwonego	Błąd aktualizacji	Sprawdzić połączenie z serwerem i połączenie internetowe. Wykonać restart Access Point przez odłączenie zasilania i ponowne uruchomienie.
Szybkie pulsowanie światła pomarańczowego	Stopień wstępny przed przywróceniem ustawień fabrycznych	Ponownie wcisnąć przycisk systemowy i przytrzymać 4 sekundy, dioda powinna świecić na zielono.
Ciągłe światło czerwone	Przywrócenie ustawień zakończyło się niepowodzeniem.	Należy ponownie przeprowadzić proces.

8 Czyszczenie

Urządzenie należy czyścić miękką, czystą, suchą szmatką, która nie pozostawia włókien. W celu usunięcia mocniejszych zabrudzeń możliwe jest nasączenie ściereczki letnią wodą. W celu czyszczenia należy użyć środka czystości, który nie zawiera rozpuszczalników.

9 Powrót do ustawień fabrycznych

Przywrócenie ustawień fabrycznych powoduje utratę wszelkich wprowadzonych ustawień. Stan eksploacyjny poszczególnych elementów Alpha IP wymaga również przywrócenia.

1. Należy odłączyć Access Point od gniazda sieciowego. W tym celu należy wyłączyć wtyczkę z gniazda.
 2. Włączyć wtyczkę ponownie do gniazda i przycisnąć oraz przytrzymać przez 4 sekundy przycisk systemowy, aż dioda LED będzie szybko pulsować światłem pomarańczowym.
 3. Zwolnić przycisk systemowy.
 4. Przycisnąć przycisk systemowy podobnie na 4 sekundy, do czasu zaświecenia się kontrolki LED na zielono.
 5. Ponownie zwolnić przycisk systemowy.
- ✓ Urządzenie wykonuje restart systemu.
Nastąpi powrót do ustawień fabrycznych.

10 Tryb radiowy

Droga transmisji radiowej nie jest przyporządkowana wyłącznie do urządzenia, dlatego zakłócenia nie są wykluczone. Zakłócenia może spowodować np. wpływ procesów przełączania, silniki elektryczne i uszkodzone, elektryczne artykuły gospodarstwa domowego. Zasięg wewnątrz budynków może się znacznie różnić od zasięgu na wolnym powietrzu. Oprócz mocy wysyłanego sygnału i zdolności odbiorczych odbiornika ważną rolę odgrywają wpływy środowiska, takie jak wilgotność powietrza oraz warunki związane ze strukturą budynku. Elementy systemu Alpha IP są zgodne z zasadniczymi wymogami oraz innymi, istotnymi przepisami dyrektywy 2014/53/EU dotyczącej urządzeń radiowych. Całość deklaracji zgodności znajduje się w internecie pod adresem www.alphaip.de.

10.1 Limit wysyłki (Duty Cycle)

Duty Cycle to prawnie regulowane ograniczenie czasu wysyłania za pośrednictwem urządzeń w zakresie 868 MHz. Minimalny czas wysyłania jednego urządzenia wynosi 1% na godzinę (a więc 36 sekund). Po osiągnięciu czasu wysyłania urządzenia nie mogą wysyłać sygnałów, dopóki trwa ograniczenie w czasie. Powyższe może przydarzyć się w pojedynczych przypadkach lub podczas rozruchu systemu za pośrednictwem intensywnych procesów radiowych. Przekroczenie Duty Cycle może wyrazić się poprzez tymczasowy brak funkcji. Po maks. 1 godzinie nastąpi przywrócenie funkcji urządzenia.

11 Wyłączenie z eksploatacji

1. Urządzenie należy przełączyć w tryb eksploatacji.
2. Wszelkie istniejące kable należy odłączyć.
3. Urządzenie należy zdemontować i poddać utylizacji w sposób zgodny z przepisami.

12 Utylizacja



Nie należy umieszczać urządzenia w zasobnikach na odpad domowy! Zgodnie z dyrektywą, dotyczącą zużytych urządzeń elektrycznych i elektronicznych, należy dostarczyć zużyte urządzenia elektroniczne do punktu zbiórki.

Niniejsza dokumentacja jest chroniona prawami autorskimi. Wszystkie prawa zastrzeżone. Zakazuje się kopiowania, reprodukcji, rozpowszechniania dokumentu w wersji skróconej lub jakiegokolwiek innej, drogą mechaniczną ani elektroniczną, w całości ani w części bez zgody autora. © 2016



Содержание

1 Об этом руководстве	55	11 Вывод из эксплуатации	62
1.1 Действие, хранение и передача руководства	55	12 Утилизация	62
1.2 Символы	55		
2 Безопасность	55		
2.1 Использование по назначению	55		
2.2 Указания по технике безопасности	56		
3 Функция	57		
3.1 Приложение Alpha IP	57		
3.2 Загрузка приложения Alpha IP	57		
4 Обзор устройства	58		
4.1 Передняя и задняя сторона	58		
4.2 Технические характеристики	58		
5 Ввод в эксплуатацию	59		
5.1 Настройка устройства	59		
6 Монтаж	60		
7 Индикаторы	60		
7.1 Индикаторы состояния	60		
7.2 Индикаторы ошибок	61		
8 Чистка	61		
9 Восстановление заводских настроек	61		
10 Радиосвязь	62		
10.1 Лимит на передачу сигналов (продолжительность включения)	62		

1 Об этом руководстве

1.1 Действие, хранение и передача руководства

Настоящее руководство действительно для Alpha IP Access Point HAP 21001. Руководство содержит информацию по вводу устройства в эксплуатацию. Приступая к работе с устройством, следует внимательно полностью прочитать настоящее руководство. Руководство следует хранить и передавать следующим пользователям.



Это руководство/дополнительная системная информация по Alpha IP в актуальной редакции постоянно доступны в Интернете на странице www.alphaip.de.

1.2 Символы

В настоящем руководстве используются следующие символы.



Примечание: обозначает важную или полезную информацию



Условие



Результат действия

• Перечень без жесткой последовательности

1., 2. Указание с жесткой последовательностью

2 Безопасность

2.1 Использование по назначению

Access Point HAP 21001 является составной частью системы Alpha IP и предназначено для

- установки в жилых помещениях,
- в качестве центрального устройства для соединения системы со смартфонами через Alpha IP Cloud,
- беспроводной связи в сети Alpha IP.
- настройки и управления системой Alpha IP и соответствующими компонентами,
- удаленного доступа к связанным компонентам

Любое иное применение, изменения и переоборудование категорически запрещены. Использование не по назначению приводит к опасностям, за которые производитель ответственности не несет и отказу от гарантий и ответственности.

2.2 Инструкции по технике безопасности

Для избежания несчастных случаев с травмами людей и материальным ущербом следует соблюдать все указания по технике безопасности, приведенные в настоящем руководстве. Производитель не несет ответственности за травмы людей и материальный ущерб, возникшие в результате неправильного обращения с устройством или несоблюдения указаний на опасности. В таких случаях любое притязание на предоставление гарантии теряет свою силу! Производитель не несет ответственности за результирующие повреждения!

- Для электропитания устройства использовать исключительно входящий в комплект поставки блок питания (5 В пост. тока/550 мА).
- Разрешается использовать только технически исправное устройство.
- Подключать устройство только к легко доступной розетке.
- В случае опасности вытащить устройство из розетки.
- Соблюдать предельные характеристики устройства и условия его эксплуатации.
- Прокладывать кабели подсоединенных потребителей таким образом, чтобы они не представляли опасности для людей и домашних животных (напр., опасность споткнуться и упасть).

- Эксплуатировать устройство только в сухой и непыльной среде.
- Не подвергать устройство воздействию влажности, вибраций, постоянного солнечного или другого теплового излучения, холода или механических нагрузок.
- Убедиться, что дети не играют с устройством или упаковкой. Дети должны находиться под присмотром.

3 Функция

Access Point (HAP 21001) является центральным системным модулем системы Alpha IP. HAP 21001 предлагает всемирный доступ через приложение для смартфонов с облачным управлением и обеспечивает актуальность ПО за счет автоматических системных обновлений.

Настройка и управление HAP 21001 или связными компонентами Alpha IP осуществляется удобно и индивидуально со смартфона посредством приложения Alpha IP. В зависимости от используемых системных компонентов, формируется объем возможных функций.

Связь осуществляется посредством Alpha IP Cloud с радио-протоколом Homeatic IP (HmIP). Передача радиосигналов реализована по невыделенному каналу связи, из-за чего полностью исключить помехи невозможно. Помехи могут быть вызваны, напр., коммутационными процессами, электродвигателями или неисправным электрооборудованием. (см. стр. 62, указания по радиосвязи)



Зона уверенного приема в зданиях может в значительной мере отличаться от зоны уверенного приема на улице (на открытых участках местности).

3.1 Приложение Alpha IP

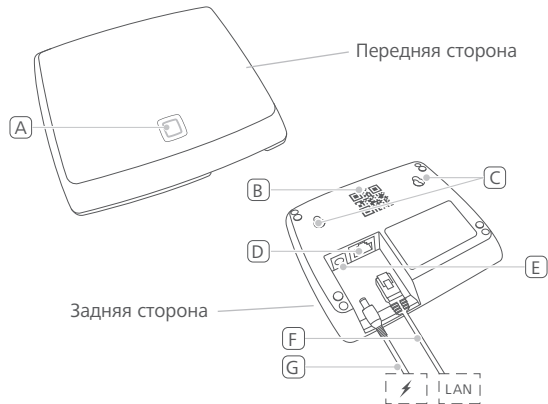
Посредством приложения Alpha IP осуществляется настройка и управления всей системой Alpha IP. С помощью приложения Alpha IP связанные компоненты привязываются к помещениям. Наглядно отображаются настроенные помещения, компоненты и вся информация.

3.2 Загрузка приложения Alpha IP

Приложение Alpha IP бесплатно доступно для скачивания как для системы Android с версии 4.4, так и для системы iOS с версии 7. Приложение Alpha IP можно скачать в Google Play Store (для смартфонов Android) и в App Store (для iPhone).

4 Обзор устройства

4.1 Передняя и задняя сторона



- (A) Системная кнопка и светодиод
- (B) Двухмерный штрихкод и номер устройства (SGTIN)
- (C) Отверстия под винты
- (D) Подключение к сети
- (E) Подключение сетевого блока питания внутри штепсельной вилки
- (F) Сетевой кабель (комплект поставки)
- (G) Сетевой блок питания внутри штепсельной вилки (комплект поставки)

4.2 Технические характеристики

Условное обозначение устройства	HAP 21001	
Питающее напряжение Блок питания первичн. (вход) Блок питания вторичн. (выход)	100 В-240 В/50 Гц 5 В пост. Тока	
Потребляемая мощность сетевым блоком питания внутри штепсельной вилки	1,5 Вт макс.	
Потребляемый ток	500 мА макс.	
Потребляемая мощность в режиме покоя	1,1 Вт	
Класс защиты	IP 20	
Температура окружающей среды	От 5 до 35 °C	
Размеры (Ш x В x Г)	118 x 104 x 26 мм	
Масса	153 г	
Радиочастота	868,3 МГц /869,525 МГц	
Категория приема	SRD category 2	
Стандарт. зона приема радиосигнала	400 м (на открытых участках местности)	
Продолжительность включения	< 1 % в ч/< 10 % в ч	
Сеть	10/100 Мб/с, Auto-MDIX	
Директивы	2014/53/ЕС 2014/30/ЕС 2011/65/EU	по радиооборудованию по электромагнитной совместимости RoHS

5 Ввод в эксплуатацию

В настоящей главе шаг за шагом описывается процедура ввода в эксплуатацию системы Alpha IP. После ввода в эксплуатацию Access Point можно добавить другие устройства Alpha IP и интегрировать систему Alpha IP.

- (i) Приложение Alpha IP доступно для систем iOS и Андроид и доступно для бесплатной загрузки в соответствующем App-Store.
- (ii) Для запуска и эксплуатации требуется соединение с Интернетом.

5.1 Настройка устройства

1. Загрузить приложения Alpha IP и загрузить его на свой смартфон.
2. Открыть на смартфоне приложение Alpha IP. Следовать указаниям Мастера установки в приложении.
3. Посредством входящего в комплект поставки кабеля подсоединить Access Point к маршрутизатору (см. стр. 58, D).
4. При помощи приложенного сетевого блока питания внутри штепсельной вилки восстановить электропитание (см. стр. 58, E).
5. Сканировать двухмерный штрихкод (см. стр. 58, B) с обратной стороны Access Point.



В качестве альтернативы ввести номер устройства (SGTIN) Access Point в приложение вручную.

6. Как только светодиодный индикатор в системной кнопке (см. стр. 58, A) станет длительно светиться синим цветом, подтвердить это в приложении.



При другом характере мигания следовать указаниям в приложении или придерживаться описания ошибки в главе 7.

- ✓ Access Point регистрируется на сервере, процесс может занять несколько минут.

1. После успешной регистрации нажать системную кнопку (см. стр. 14, А) для подтверждения.
- ✓ Производится процедура настройки.
- ✓ Alpha IP Access Point готов к эксплуатации.

6 Монтаж



ALPHA IP устройства Access Point следует размещать к маршрутизатору WLAN на расстоянии не менее 50 см.

Alpha IP Access Point устанавливается на столе или монтируется на стену.

1. Для монтажа на стену проделать в стене на расстоянии 7,5 см два отверстия 5 мм.
2. Вставить в отверстия входящие в комплект поставки дюбели.
3. Ввинтить входящие в комплект поставки винты настолько, чтобы они выступали из стены на 4 мм.
4. Подвесить Alpha IP Access Point за винты.

7 Индикаторы

7.1 Индикаторы состояния

Индикация	Значение	Значение
Продолжительное свечение оранжевым цветом	Процесс запуска	Дождаться завершения процесса. Понаблюдать за характером мигания.
Быстрое мигание синим цветом	Установление соединения с сервером	Дождаться завершения процесса.
Продолжительное свечение синим цветом	Штатный режим, соединение с сервером установлено	Можно продолжить управление.
Длительное горение зеленым цветом	Процесс подтвержден	Подтверждение произведенной настройки.
Попеременно длительное и короткое мигание оранжевым цветом	Выполняется обновление	Дождаться завершения процесса.

7.2 Индикаторы ошибок

Индикация	Значение	Решение
Быстрое мигание желтым цветом	Соединение с сетью и/или с маршрутизатором отсутствует	Подключить Accesspoint к сети/маршрутизатору.
Продолжительное свечение желтым цветом	Отсутствует соединение с Интернетом	Проверить соединение с Интернетом и настройки межсетевых экранов.
Быстрое мигание красным цветом	Ошибка обновления	Проверить соединение с сервером и с Интернетом. Перезапустить Access Point, на короткое время отсоединив его от сети.
Быстрое мигание оранжевым цветом	Предварительная ступень для возврата к заводским настройкам	Еще раз нажать системную кнопку на 4 секунды, пока светодиод не станет гореть зеленым цветом.
Длительное горение красным цветом	Сбой возврата	Повторить процедуру.

8 Очистка

Очищать устройство мягкой чистой сухой безворсовой салфеткой. Для удаления сильных загрязнений салфетку можно слегка смочить тепловатой водой. Использовать для очистки не содержащее растворителей чистящее средство.

9 Восстановление заводских настроек

При восстановлении заводских настроек все произведенные настройки будут утеряны. Также должно быть снова восстановлено заводское состояние отдельных компонентов Alpha IP.

1. Отсоединить Access Point от сети. Для этого вытащить сетевую вилку из розетки.
 2. Снова включить в розетку сетевую вилку и одновременно нажать и в течение 4 секунд удерживать нажатой системную кнопку, пока светодиод быстро не замигает оранжевым цветом.
 3. Отпустить системную кнопку.
 4. Нажать системную кнопку еще на 4 секунды, пока светодиод не загорится зеленым цветом.
 5. Снова отпустить системную кнопку.
- ✓ Устройство перезапускается.
Заводские настройки восстановлены.

10 Радиосвязь

Передача радиосигналов реализована по не выделенному каналу связи, из-за чего невозможно исключить помехи. Дополнительные помехи могут быть вызваны коммутационными процессами, электродвигателями или неисправным электрооборудованием. Зона уверенного приема в зданиях может в значительной мере отличаться от зоны уверенного приема на открытых участках местности. Кроме мощности передатчика и приемных свойств приемника, наряду с конструктивными особенностями на месте использования, важную роль играют влияния окружающей среды, напр., влажность воздуха. Системные компоненты Alpha IP соответствуют основным требованиям и другим релевантным нормативам директивы 2014/53/ЕС по радиооборудованию. Полная версия Декларации соответствия находится на странице www.alphaip.de.

10.1 Лимит на передачу (продолжительность включения)

Продолжительность включения является законодательно регулируемым ограничением времени передачи устройств в диапазоне 868 МГц. Максимальное время передачи устройства составляет 1 % в час (т. е. 36 секунд). При достижении лимита на время передачи устройства прекращают передачу сигналов до тех пор, пока не закончится это временное ограничение. В отдельных случаях и/или при запуске системы это

может происходить в результате требующих повышенной интенсивности обмена данными процессов настройки. Превышение продолжительности включения может выражаться во временно отсутствующей функции. Макс. через 1 час функция устройства будет снова восстановлена.

11 Вывод из эксплуатации

1. Перевести устройство в заводское состояние.
2. Отсоединить все кабели.
3. Демонтировать устройство и утилизировать его в установленном порядке.

12 Утилизация



Не утилизировать устройство вместе с бытовыми отходами! Согласно директиве ЕС об утилизации электрического и электронного оборудования, электроприборы следует сдавать в местные пункты приема электронного оборудования.

Настоящее руководство защищено законом об авторском праве. Все права сохранены. Полное либо частичное копирование, тиражирование, сокращение или иное воспроизведение механическое, так и электронное) настоящего руководства без предварительного согласия производителя запрещены. © 2016





Høiax AS | 69 35 55 00 | post@hoiax.no | www.hoiax.no

COMFORT IP: Access point

COMFORT IP access point er hjernen i hele COMFORT IP-serien. Access pointet skaber en forbindelse mellem smartphonen og de forskellige IP-komponenter, hvilket gør det muligt at styre hele systemet via ALPHA IP app'en.

Access pointet forbindes til en internetrouter via en netværkskabel.



1.1 Produktkarakteristika

- Forbinder smartphonen med COMFORT IP komponenter
- Sender data mellem smartphonen og komponenter og sikrer dermed fuld kontrol af hele systemet via ALPHA IP app'en
- Stabil IP trådløs protokol baseret på 868 MHz
- Stor sikkerhed takket været omfattende AES-kryptering og serverbase i Tyskland.
- COMFORT IP-symbolknappen viser aktuelle status med farvekoder (blå, gul, rød)
- Enheden forbindes til internetrouter via et netværkskabel.
- Holdbart og stilrent design

1.2 Indhold

- COMFORT IP Access Point
- Netadapter
- Netværkskabel
- Skruer (2x)
- Plugs (2x)
- Manual

2 Tekniske data

Spænding	5 VDC
Strømtilførsel via netadapter (input)	100 V-240 V/50 Hz
Energiforbrug via netadapter	2.5 W max.
Aktuel forbrug	500 mA max.
Standby-forbrug	1.1 W
Beskyttelse	IP20
Omgivelsestemperatur	5 til 35 °C
Dimensioner (B x H x D)	118 x 104 x 26 mm
Vægt	153 g
Radiofrekvens	868.3 MHz/869.525 MHz
Typisk rækkevidde	400 m
Netværk	10/100 MBit/s, Auto-MDIX
Emballagedimensioner	184 x 140 x 73 mm